

TD-25R Extra

CRAWLER DOZERS

EPA Tier 4f / EU Stage IV
STANDARD

ENGINE

	TD-25R Extra
Make and model	Cummins QSX15
Emissions standard	EPA Tier 4f/EU Stage IV
Displacement	15 l (912 in ³)
Bore and stroke	137 x 169 mm (5.39 x 6.65 in)
Gross horsepower, SAE J1995	280 kW (375 hp)
Net horsepower, SAE J1349/ ISO 9249	246 kW (330 hp)
Rated rpm	2000
Max. torque	1993 Nm (1470 lb-ft) @ 1200 rpm
Air cleaner	Cummins Filtration Direct Flow™, dry type, with dash-mounted electronic service indicator
Cold-starting aid	ether start
Slope operation, max. angle	45 deg

COOLING

	TD-25R Extra
Type	Suction-type variable-speed fan, hydraulically driven with perforated engine side sheets and heavy duty louvered front grill
Engine coolant rating	-37 deg C (-34 deg F)

OPERATOR STATION

	TD-25R Extra
ROPS	ROPS (ISO 3471 - 2008)
FOPS	FOPS (ISO 3449 - 2005)

HYDRAULICS

	TD-25R Extra
Type	Open-center hydraulic system with fixed-displacement multiple-pump vane type
Pump displacement	313.5 l/min (82,8 gpm)
System relief pressure	Blade lift & ripper 17.2 MPa (2500 psi); blade tilt 18.4 MPa (2670 psi)
Control	Single joystick lever
Cylinders, bore and stroke	
lift	127 x 1460 mm (5.0" x 57.5")
tilt	200 x 130 mm (7.9" x 5.1")
tilt/pitch	185/200 x 130 mm (7.3"/7.9" x 5.1")

UNDERCARRIAGE

	TD-25R Extra
Suspension	Oscillation-type with equalizer bar and forward mounted pivot shafts
Tracks	Large deep-heat-treated, sealed, and lubricated track links and through-hardened, sealed, and lubricated rollers for maximum wear resistance
Track gauge	2140 mm (7 ft)
Track shoe width	560 mm (22 in)
Chain	Sealed and lubricated
Shoes, each side	39
Track rollers, each side	7
Track length on ground	3270 mm (10 ft 9 in)
Ground contact area	36600 cm ² (5673 sq. in)
Ground pressure	96 kPa (13.9 psi)
Track pitch	250 mm (9.86 in)
Sprocket sements, each side	8

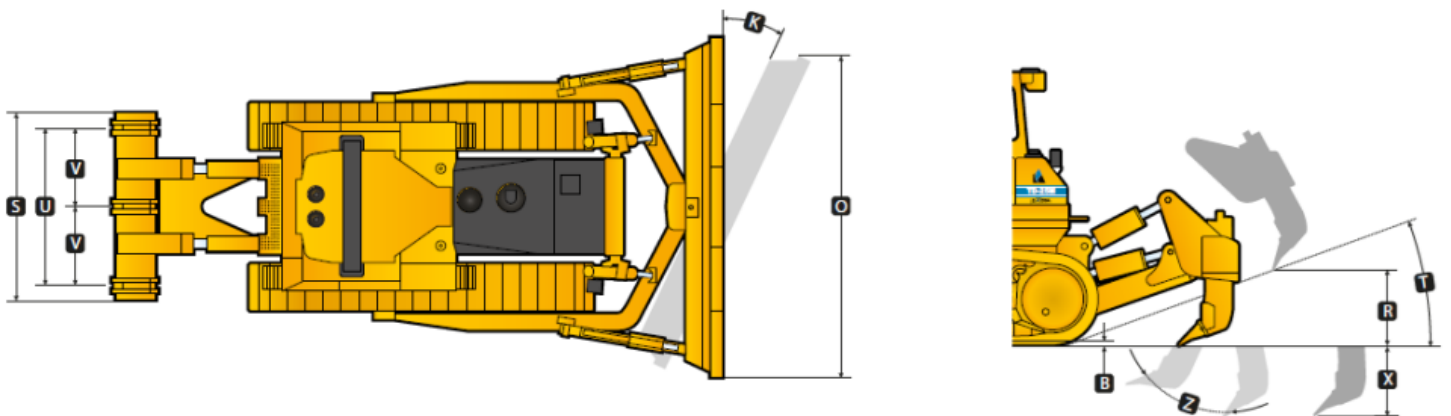
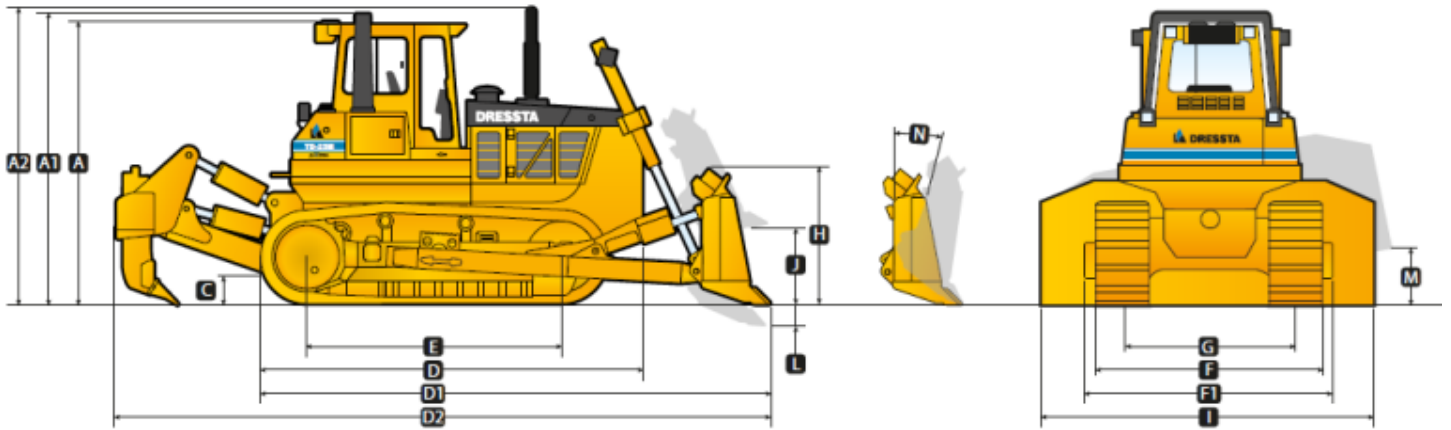
ELECTRICAL

	TD-25R Extra
Voltage	24 V
Number of batteries	4
Battery capacity	960 CCA
Alternator rating	100A
Lights	8 total; cab mounted (2F& 2R), 2F lift cylinders and 2R fuel tank mounted

MACHINE DIMENSIONS

TD-25R Extra

Type	Semi-U	Full-U	Angle	Coal
A Overall height - FOPS Cab	3670 mm (12 ft)	3670 mm (12 ft)	3670 mm (12 ft)	3670 mm (12 ft)
A1 Overall height - ROPS	3800 mm (12 ft 6 in)	3800 mm (12 ft 6 in)	3800 mm (12 ft 6 in)	3800 mm (12 ft 6 in)
A2 Overall height - end of exhaust pipe	3930 mm (12 ft 11 in)	3930 mm (12 ft 11 in)	3930 mm (12 ft 11 in)	3930 mm (12 ft 11 in)
B Grouser height	76 mm (3 in)	76 mm (3 in)	76 mm (3 in)	76 mm (3 in)
C Ground clearance	575 mm (22.6 in)	575 mm (22.6 in)	575 mm (22.6 in)	575 mm (22.6 in)
D Overall length, base machine	5070 mm (16 ft 7 in)	5070 mm (16 ft 7 in)	5070 mm (16 ft 7 in)	5070 mm (16 ft 7 in)
D1 Length with blade and drawbar	6880 mm (22 ft 7 in)	7150 mm (23 ft 5 in)	6890 mm (22 ft 7 in)	7530 mm (24 ft 8 in)
D2 Length with blade and 1-shank / 3-shank ripper	8940 mm/8380 mm (29 ft 4 in/27 ft 6 in)	9210 mm/8650 mm (29 ft 4 in/27 ft 6 in)	8950 mm/8390 mm (29 ft 4 in/27 ft 6 in)	9030 mm (29 ft 8 in)
E Track length on ground	3270 mm (10 ft 4 in)	3270 mm (10 ft 4 in)	3270 mm (10 ft 4 in)	3270 mm (10 ft 4 in)
F Width over track	2700 mm (8 ft 10 in)	2700 mm (8 ft 10 in)	2700 mm (8 ft 10 in)	2700 mm (8 ft 10 in)
F1 Width over trunnions	3210 mm (10 ft 6 in)	3210 mm (10 ft 6 in)	3210 mm (10 ft 6 in)	3210 mm (10 ft 6 in)
G Track gauge	2140 mm (7 ft)	2140 mm (7 ft)	2140 mm (7 ft)	2140 mm (7 ft)



BLADE SPECS

TD-25R Extra

Type	Semi-U	Full-U	Angle	Coal
SAE capacity	9.6 m ³ (12.5 cu yd)	11.5 m ³ (15.0 cu yd)	5.7 m ³ (7.4 cu yd)	21.0 m ³ (27.5 cu yd)
H Blade height	1760 mm (5 ft 9 in)	1760 mm (5 ft 9 in)	1260 mm (4 ft 1 in)	2100 mm (6 ft 11 in)
I Blade width	4050 mm (13 ft 3 in)	4350 mm (14 ft 3 in)	4950 mm (16 ft 3 in)	5610 mm (18 ft 5 in)
J Blade lift height	1270 mm (4 ft 2 in)	1270 mm (4 ft 2 in)	1370 mm (4 ft 6 in)	1270 mm (4 ft 2 in)
K Blade angle	-	-	25 deg	-
L Blade digging depth	600 mm (23.6 in)	600 mm (23.6 in)	660 mm (26 in)	600 mm (23.6 in)
M Maximum tilt	880 mm (34.6 in)	945 mm (37.2 in)	435 mm (17.1 in)	1220 mm (48 in)
N Maximum blade pitch adjustment	10 deg	10 deg	-	10 deg
O Overall width with blade angled	-	-	4590 mm (15 ft 1 in)	-

RIPPER

TD-25R Extra

Type	Parallelogram ripper with hydraulic pitch adjustment		
	Single-shank (Standard)	Single-shank (Deep Dig)	Multi-shank (3-shank)
R Maximum clearance under tip (raised)	770 mm (30.3 in)	760 mm (29.9 in)	868 mm (34.2 in)
S Overall beam width	1450 mm (57 in)	1450 mm (57 in)	2485 mm (98 in)
T Slope angle (full raise)	30.8 deg	30.8 deg	30.8 deg
U Ripping width	-	-	2134 mm (84 in)
V Spacing center to center	-	-	1067 mm (42 in)
X Maximum penetration	1250 mm (49.2 in)	1700 mm (66.9 in)	760 mm (29.9 in)
Z Maximum pitch adjustment	25.1 deg	25.1 deg	25.1 deg
Penetration force	132.5 kN (29,768 lb)	132.5 kN (29,768 lb)	131.2 kN (29,494 lb)
Pryout force	377.7 kN (84,907 lb)	377.7 kN (84,907 lb)	353.5 kN (79,467 lb)
Shank positions (vertical)	4	6	2
Weight of ripper incl. shank(s)	5280 kg (11,630 lb)	5370 kg (11,840 lb)	5736 kg (12,646 lb)
Weight of shank	540 kg (1,190 lb)	634 kg (1,397 lb)	318 kg (700 lb)

OPERATING WEIGHTS

TD-25R Extra

Base weight with Semi-U blade w/tilt, single-shank ripper, standard equipment, cab ROPS/FOPS, full fuel tank, and 79 kg [175 lb] operator)	41250 kg (90940 lb)
Optional components	
Ripper w/3 shanks	+ 456 kg (1874 lb)
Track shoes	
610 mm (24 in)	+ 231 kg (509 lb)
660 mm (26 in)	+ 487 kg (1074 lb)
711 mm (28 in)	+ 667 kg (1470 lb)

SERVICEABILITY

TD-25R Extra

Refill capacities	
Fuel tank	770 l (203 US gal)
Cooling system	67.5 l (18 US gal)
Engine oil	49 l (13 US gal)
Transmission system	240 l (63 US gal)
Final drive, each side	64 l (16.9 US gal)
Hydraulic reservoir	130 l (34 US gal)
AdBlue (DEF)	38 l (10 US gal)

POWERTRAIN

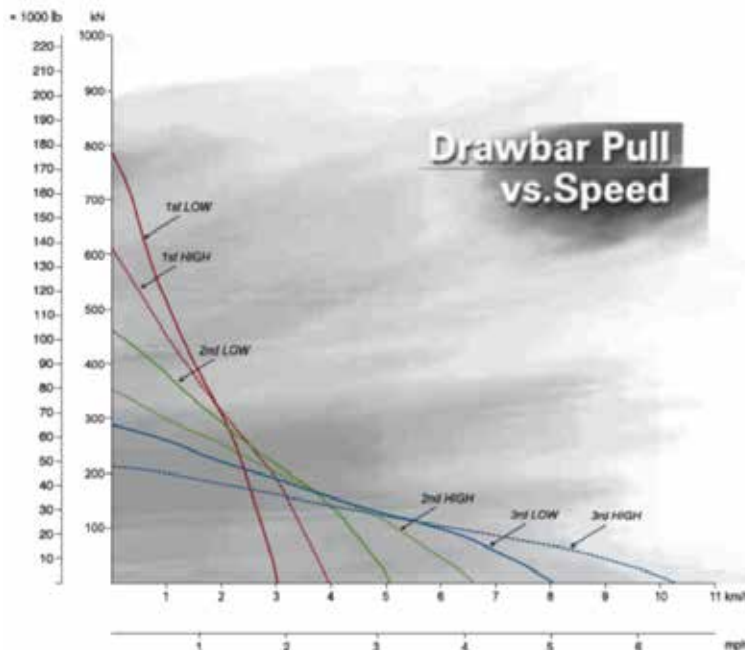
TD-25R Extra

Transmission	Single stage 415 mm (16 in) torque converter with a 2.45:1 stall ratio drives to transmission through a double universal joint. Modular, countershaft type power shift transmission, electro-hydraulic control. Preset travel speed and auto-downshift		
Steering	Exclusive 2-speed geared steering module provides gradual turns while maintaining full power to both tracks plus conventional clutch-brake performance for tight or pivot turns. Coupled to 3-speed transmission, the 2-speed steering provides 6 speeds forward and 6 reverse. The left hand joystick controls transmission and steering drive for up and down shifting, steering, Hi/Lo selection and LH/ RH gradual turn.		
Final drives	Double-reduction planetary type final drives mounted independently of track frames and dozer push arms for isolation from shock loads		
Total ratio	25.5 to 1		
Travel speeds			
	Range	Forward	Reverse
1st	Low	3.0 km/h (1.9 mph)	3.7 km/h (2.3 mph)
	High	4.0 km/h (2.5 mph)	4.8 km/h (3.0 mph)
2nd	Low	5.1 km/h (3.2 mph)	6.1 km/h (3.8 mph)
	High	6.6 km/h (4.1 mph)	7.9 km/h (4.9 mph)
3rd	Low	8.0 km/h (5.0 mph)	9.6 km/h (6.0 mph)
	High	10.3 km/h (6.4 mph)	12.3 km/h (7.6 mph)

Maximum drawbar pull	794 kN (178,498 lb)	
Drawbar Pull - Speed 1	kN (lbf)	794 (178498) - 1st Low
Drawbar Pull - Speed 1	'000 kgf ('000 lbf)	80.96 (178.49) - 1st Low
Drawbar Pull - Speed 2	kN (lbf)	607 (136459) - 1st High
Drawbar Pull - Speed 2	'000 kgf ('000 lbf)	61.89 (136.45) - 1st High
Drawbar Pull - Speed 3	kN (lbf)	469 (105435) - 2nd Low
Drawbar Pull - Speed 3	'000 kgf ('000 lbf)	47.82 (105.43) - 2nd Low
Drawbar Pull - Speed 4	kN (lbf)	364 (81830) - 2nd High
Drawbar Pull - Speed 4	'000 kgf ('000 lbf)	37.11 (81.83) - 2nd High
Drawbar Pull - Speed 5	kN (lbf)	286 (64296) - 3rd Low
Drawbar Pull - Speed 5	'000 kgf ('000 lbf)	29.16 (64.29) - 3rd Low
Drawbar Pull - Speed 6	kN (lbf)	216 (48559) - 3rd High
Drawbar Pull - Speed 6	'000 kgf ('000 lbf)	22.02 (48.56) - 3rd High

Brakes

Service	Spring applied hydraulically released multi-disc wet brakes. Foot pedal piloted control
Parking	The steering brakes also act as service and parking brakes. Service brakes are locked automatically when the transmission safety lever is actuated or when the engine is cut off.



STANDARD EQUIPMENT TD-25R Extra

ENGINE

Engine, Cummins QSX15, Tier 4 Final, emission certified, turbocharged, with High Pressure Injection (HPI), Selective Catalytic Reduction (SCR), Electronic Controls (ECM) 246 kW (330 fwhp)

Air cleaner, Cummins Filtration Direct Flow™, dry type with turbo precleaner and electronic service indicator

Antifreeze, -34°F (-37°C)

Cooling module; includes radiator, transmission oil cooler, hydraulic oil/fan drive oil cooler, fuel cooler, charge air cooler (CAC); isolation mounted

Coolant filter conditioner

Diesel Particulate Filter with catalyst (DPF)

Exhaust resonator with elbow

Fan, hydraulically driven, suction type, variable speed

Filters, engine oil, full flow and by-pass with replaceable "spin-on" elements

Fuel strainer

Water separator, fuel system

DRIVETRAIN

Torque converter, single stage

Transmission, power shift, 3 speeds forward, 3 reverse, combined with 2 speed steering provides 6 speeds forward, 6 reverse, preset travelspeed selection and auto-downshift

Steering, planetary type, 2 speed, left hand single lever control (joystick)

Filters, power train, equipment hydraulics, "spin-on" micro glass type

Brakes, foot, spring applied, hydraulically released

Decelerator - right foot pedal, and brake - center foot pedal

OPERATOR'S ENVIRONMENT

Air conditioner/heater/pressurizer/defroster, underseat mounted; behind roof mounted A/C condenser

AM/FM radio ready

Cab with 2 post ROPS, with sound suppression, 4 wipers w/ washers, inside mirror, dome light, tinted safety glass and air recirculation system (approved according to ROPS - SAE J1040 and FOPS - SAE J231)

Seat, air suspension type, fabric cover, adjustable with arm rests, swivel 14° to right

Seat belt (SAE J386) - 3" wide, retractable

Sun visor for front cab window

Tools compartment

INSTRUMENTATION

Electronic Monitoring System, LCD display:

Normal and diagnostic operating modes for engine and drive train, hourmeter, gear, range

Gauges: voltmeter (battery charge), drive train oil temperature, fuel level, coolant temperature, tachometer (engine rpm), AdBlue® tank level

Engine and drive train diagnostics program indicator lights

Warning lights: engine ECM status, high drive train oil temperature, low coolant level, low engine oil pressure, high coolant temperature, low fuel level, high exhaust system temperature, AdBlue® tank low level, battery charge level, low transmission/clutch oil pressure

Warning lights - filters: air cleaner filter, exhaust system (SCR) filter, fan drive system filter, hydraulic oil filters, drive train pressure filter

Audible alarm for low coolant level, low engine oil pressure, high coolant temperature

ELECTRICAL

Alarm, back-up

Alternator 110 A

Batteries (4) 12 V, 1920 CCA, cold start, maintenance free

Horn, electric

Lights for cab, 2 front, 2 rear

Lights with guards, 2 front - lift cylinders mounted, 2 rear - fuel tank mounted

Portable lamp receptacle, 12 V

Receptacle, starting/charging plug

Starting, 24 V

UNDERCARRIAGE

Track adjusters, hydraulic

Track chain, sealed and lubricated (LTS) with split master link, 39 links

Track chain guides, integral

Track frame, 7 roller, 2140 mm (84") gauge, oscillating type, lifespan lubricated rollers and idlers

Track shoes, 560 mm (22"), grouser type

GUARDS

Crankcase, hinged, with front pull hook, transmission, fan, radiator, sprocket rock and dirt deflector

Engine hood, solid, sloped

Engine side doors, hinged, perforated type

Final drive seal guard

Radiator guard doors, louvered, two-piece, hinged

HYDRAULIC CONTROLS

3-spool valve, 1 lever with pilot operated blade control (lift/tilt), ready for ripper

OTHER STANDARD EQUIPMENT

Cylinders, lift, with quick drop valve

Diagnostic centers for power train and equipment hydraulic pressures

Drawbar, fixed

Ecological drains for engine oil, radiator coolant and hydraulic oil

Manuals, parts and operator's

Rear access platform

OPTIONAL EQUIPMENT TD-25R Extra

BLADE EQUIPMENT

Semi-U, 9.6 m³ (12.5 yd³), complete with all blade components, blade includes reinforced center push plate, with hydraulic tilt and manual pitch or hydraulic tilt/pitch

Full-U, 11.5 m³ (15 yd³), complete with all blade components, blade includes reinforced center push plate, with hydraulic tilt and manual pitch or hydraulic tilt/pitch

Coal Dozer, 21.0 m³ (27.5 yd³), complete with all blade components, blade includes reinforced center push plate, with hydraulic tilt and manual pitch or hydraulic tilt/pitch

Angle (manual angle), 5.7 m³ (7.4 yd³), complete with all blade components, with or without hydraulic tilt

REAR MOUNTED EQUIPMENT

Drawbar, counterweight, 1860 kg (4100 lbs)

Additional counterweight (cast), 2004 kg (4410 lbs); recommended for use with large coal or landfill blades

Ripper, multi-shank with three shanks, partially mounted, with hydraulic pitch, includes deduct for drawbar

Ripper single-shank beam, with hydraulic pitch, standard or deep dig, with hydraulic pin puller and shank, partially mounted, includes deduct for drawbar

TRACK SHOES

610 mm (24") shoes

660 mm (26") shoes, clipped corner

711 mm (28") shoes, clipped corner, (not recommended for use with ripper)

OPERATOR'S ENVIRONMENT

Heater/pressurizer/defroster, cab without air conditioner (A/C)

For use with cab:

- Air recirculation system with MSHA filters, severe service
- AM/FM CD radio
- Mirrors, 2 pcs, exterior
- Sun visors (2), additional, for side door windows
- Lights, 2 additional, ROPS mounted
- Lights, additional, ROPS mounted, 2 front, 2 rear or side

Canopy ROPS/FOPS

Includes vinyl seat, operator platform covers, instrument panel guard and lights, 2 front, 2 rear.

ROPS structure for use with sweeps

Includes vinyl seat, operator platform covers and instrument panel guard

At Dressta we take pride in innovating to help our customers to achieve more in the jobs they do.

Our dedicated team of application engineers can customize designs, modify standard equipment and adapt attachments for peak performance in specific application tasks, improving productivity and bottom line results.

Do you have a Special Feature Request? See how Dressta can help you achieve more in the jobs you do.

SCREENS

Sweeps, forestry, front and rear, for standard cab with ROPS or open ROPS machine; include exhaust pipe extension with guard and guard for fuel tank and hydraulic reservoir

Screen, rear (required for winch application), for use with forestry sweeps

Screens for cab windows (front, rear, side, doors) bolted, black painted

Screens for cab lights (2 front, 2 rear), black painted

Screens for tractor lights (2 front, 2 rear)

Screens for ROPS mounted lights, (2 front)

GUARDS

Final drive rock guard

Track roller guards, full length

Transmission and engine crankcase guards, severe service

Engine hood, perforated

Tank guard, bolted (0.5" plate protects fuel tank and hydraulic reservoir)

ADDITIONAL OPTIONS

Sound suppression package, for use with std solid hood or with perforated hood, includes sound suppressed radiator guard doors
Ether start

Starting/charging receptacle plug assembly (required to jump start or charge batteries) with 15 ft cable

Vandalism protection for use with engine enclosures

Maintenance tool kit, 17 items in a metal box

1000 h maintenance package (filters)

2000 h maintenance package (filters)

EXPORT PACKING

Export packing, drive-on/drive-off, machine on the trailer, cab crated

Export packing, drive-on/drive-off, machine on the railway wagon

SFRs

Centralized Lubricating System, for machine with or without ripper
Trimble Ready Option, factory preinstalled hydraulics, harness and brackets for the Trimble Grade Control System components

Specifications may change from time to time and this brochure may not reflect the latest specifications. Photographs in this brochure may not reflect market configuration. Please consult your dealer to confirm specifications and configurations.



Dressta encourages safe worksites.

Please consult operator's manual before use of any Dressta equipment.

